



# PRESSURE SYSTEMS PTY LTD

Herose Safety Valves

Part No. 06-207

## Herose Safety Valves Full lift safety valves, male thread, brass type-tested



Open bonnet, free blow off, with soft seal, spring loaded with lifting device, with male thread.

### Applications

Provided as safety device for protection against excessive pressures boilers. Suitable for compressed air and similar non-flammable, non-toxic gases up to 180°C.

### Type test approval identification

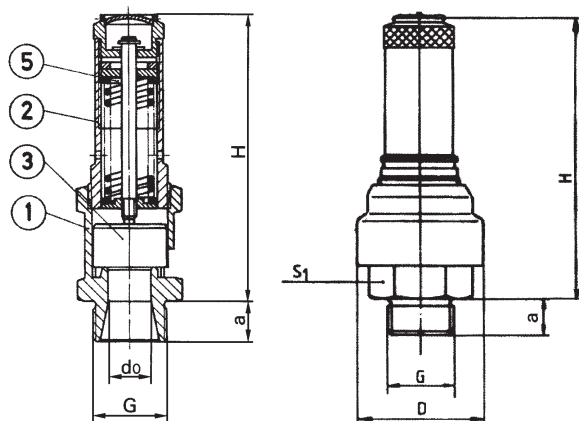
- TUV.SV.83-717.do.D/Gaw.p  
as full lift safety valve, between 0.2 up to 1.0 bar as standard safety valve.

### Type tested pressure range

R $\frac{1}{2}$ " to R2"      From 0.2 to 16.0 bar

### Important

These safety valves are only delivered preset.  
Please state set pressure, type of medium and operating temperature when ordering.



## Dimensions and Weights

Nom. Size	R	1 1/2"	2"
Seat - Ø	do	32	40
Length	i	22	25
Height	H	170	200
Hexagon	S1	55	70
Hexagon	S2	41	50
Weight	Ca.kg	1.56	2.85

Dimensions in mm.

Male thread: Witworth pipe thread as per DIN 259.

## Discharge Capacities for Safety Valves

Calculation of mass flow acc.

Medium:

Air at 0°C and 1013,25 mbar absolute (m³/h)

The capacity indicated below is for a fully opened valve.

$d_o$  – Seat diameter

$A_o$  – Flow area

Set Pressure in bar	G $d_o$ (mm) $A_o$ (mm²)	1/2"	3/4"	1"	1 1/4"	1 1/2"	2"
		113.1	176.7	314.2	490.9	804.3	1256.6
0.2		49	77	107	167	294	491
0.5		79	123	197	312	519	861
1.0		118	185	307	480	786	1281
1.5		153	239	402	637	1029	1653
2.0		189	298	504	777	1256	2016
2.5		223	349	590	921	1469	2358
3.0		256	400	675	1054	1682	2699
4.0		320	501	846	1321	2107	3382
5.0		385	602	1016	1588	2533	4065
6.0		450	703	1187	1855	2959	4748
7.0		515	804	1358	2122	3384	5431
8.0		579	905	1529	2388	3810	6114
9.0		644	1006	1699	2655	4235	6797
10.0		709	1107	1870	2922	4661	7479
12.0		838	1309	2212	3455	5512	8845
14.0		967	1511	2553	3989	6363	10211
16.0		1097	1714	2895	4523	7214	11577
18.0		1226	1916	3236	–	–	–
20.0		1356	2118	3578	–	–	–
22.0		1485	–	–	–	–	–
25.0		1679	–	–	–	–	–