

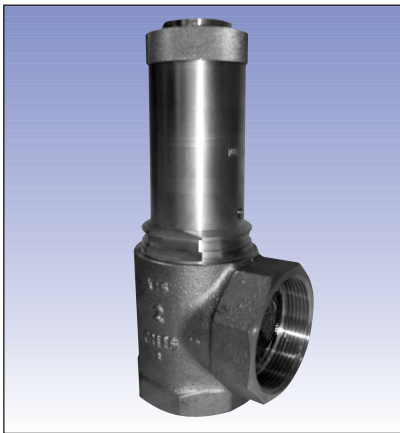


PRESSURE SYSTEMS PTY LTD

Herose Safety Valves

Part No. 06-370

Herose Safety Valves Angle type, gunmetal, type tested



Standard safety valve, obturator with NBR seal, with protecting diaphragm for the spring, with lifting device, in and outlet: female thread.

Applications

Provided as safety device for protection against excessive pressures in pressure vessels. Suitable for non-toxic, non-inflammable fluids, which are not vaporised during the blow-off process.

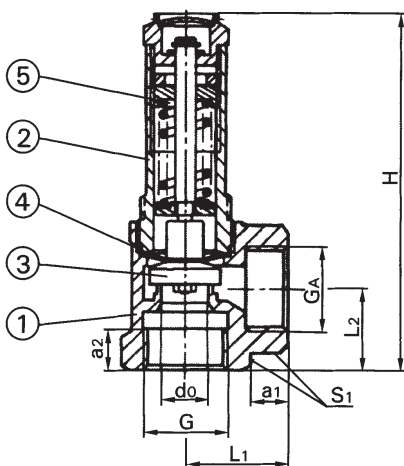
Essential

Valves are delivered at a set pressure, therefore when ordering please confirm set pressure, medium, temperature and any other relevant details.

Materials

Part	Material No.	
1. Body	2.1096.01	G-Cu Sn 5 Zn Pb
2. Bonnet	2.0380.10	Cu Zn 39 Pb 2
3. Disc	2.0380.10	Cu Zn 39 Pb 2
4. Diaphragm	2.0830.10	Cu Zn 39 Pb 2
5. Spring	1.1200	C-Stahl/C-Steel

Dimensions and Weights



Nom. Size	G	1/2"	3/4"	1"	1 1/4"	1 1/2"	2"
Seat - Ø	do	12	15	18	20	24	28
Dim. Code	.X.	0400	0600	1000	1200	1400	2000
Set Pressure	bar	1,0-16	1,0-16	1,0-16	1,0-16	1,0-16	1,0-16
Height	H	93	114	134	153	175	201
Outlet	Ga	G 1/2"	G 3/4"	G 1"	G 1 1/4"	G 1 1/2"	G 2"
Length	a ₁	10	12	15	16	18	20
Length	a ₂	10	12	15	16	18	20
Length	L ₁	25	30	36	40	48	56
Length	L ₂	20	25	30	35	40	48
A/F	S ₁	27	32	41	50	58	70
Weight	ca.kg	0,21	0,36	0,65	0,95	1,5	2,25

Dimensions in mm.
Thread: ISO 228/1

Discharge Capacities for Safety Valves

Calculation of mass flow acc.

Medium:

Water, capacity in kg/h

The capacity indicated below is for a fully opened valve.

d_o – Seat diameter

A_o – Flow area

Set Pressure in bar	G d_o (mm) A_o (mm ²)	1/2"	3/4"	1"	1 1/4"	1 1/2"	2"
		113,1	176,7	254,5	314,2	452,4	615,8
1.0		1389	2548	4213	6543	10146	12496
2.0		1964	3603	5958	9254	14349	17671
3.0		2406	4413	7297	11334	17574	21643
4.0		2778	5095	8426	13087	20293	24991
5.0		3106	5697	9420	14632	22688	27941
6.0		3403	6240	10320	16028	24853	30608
7.0		3675	6740	11146	17312	26845	33060
8.0		3929	7206	11916	18508	28698	35343
9.0		4167	7643	12639	19630	30439	37487
10.0		4393	8056	13322	20692	32085	39515
12.0		4812	8825	14594	22667	35148	43286
14.0		5197	9532	15763	24483	37964	46754
16.0		5556	10190	16852	26174	40585	49983