

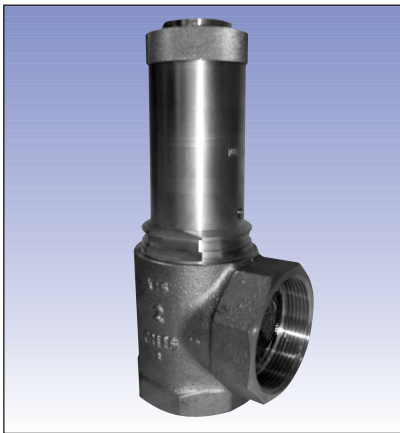


PRESSURE SYSTEMS PTY LTD

Herose Safety Valves

Part No. 06-380

Herose Safety Valves Angle type, gunmetal, type tested



Standard safety valve, open bonnet, with lifting device, in and outlet: female thread.

Applications

Provided as safety device for protection against excessive pressures in pressure vessels. The laws, regulations and standards are to observe for the range of application. Working temperatures: -10°C (263K) up to +185°C (458K).

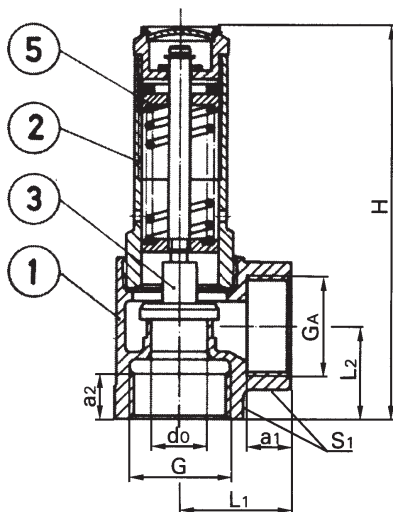
Essential

Valves are delivered at a set pressure, therefore when ordering please confirm set pressure, medium, temperature and any other relevant details.

Materials

Part	Material No.	
1. Body	2.1096.01	G-Cu Sn 5 Zn Pb
2. Bonnet	2.0380.10	Cu Zn 39 Pb 2
3. Disc	2.0380.10	Cu Zn 39 Pb 2
5. Spring	1.1200	C-Stahl/C-Steel

Dimensions and Weights



Nom. Size	G	1/2"	3/4"	1"	1 1/4"	1 1/2"	2"
Seat - Ø	do	12	15	18	20	24	28
Dim. Code	.X.	0400	0600	1000	1200	1400	2000
Set Pressure	bar	0,2-20	0,2-20	0,2-20	0,2-20	0,2-16	0,2-16
Height	H	100	115	135	155	175	200
Outlet	Ga	G1 1/2"	G3/4"	G1"	G1 1/4"	G1 1/2"	G2"
Length	a1	10	12	15	16	18	20
Length	a2	10	12	15	16	18	20
Length	L1	25	30	36	40	48	56
Length	L2	20	25	30	35	40	48
A/F	S1	27	32	41	50	58	70
Weight	ca. kg	0,21	0,36	0,65	0,95	1,5	2,25

Dimensions in mm.
Thread: ISO 228/1

Discharge Capacities for Safety Valves

Calculation of mass flow according to AD-Merkblatt A2

Medium:

A = Air at 0°C (32F) and 1013.25 mbar absolute (m³/h)

B = Saturated Steam in kg/h.

The capacity stated below is for a fully opened valve

d₀ – Seat diameter

A₀ – Flow area

Set Pressure in bar	G d ₀ (mm) A ₀ (mm ²)	1/2"		3/4"		1"		1 1/4"		1 1/2"		2"	
		12 113,1	15 176,7	18 254,5	20 314,2	24 452,4	28 615,7	A	B	A	B	A	B
0.2		28	27	44	42	69	66	96	91	122	116	158	151
0.5		46	38	72	60	114	95	154	129	203	170	270	226
1.0		68	54	106	85	171	137	229	183	304	243	405	323
1.5		92	73	144	114	230	182	312	247	408	323	533	422
2.0		113	89	177	139	283	222	390	307	503	395	658	517
2.5		136	106	212	166	331	259	427	358	589	461	786	615
3.0		156	121	243	189	388	302	524	409	689	537	902	703
4.0		195	151	305	236	487	376	659	509	865	669	1132	875
5.0		235	181	368	283	586	450	793	609	1041	801	1363	1048
6.0		275	211	430	330	685	525	927	711	1218	934	1594	1222
7.0		315	241	492	377	784	600	1061	812	1394	1067	1824	1397
8.0		355	270	554	422	883	672	1195	910	1570	1195	2055	1564
9.0		395	300	616	468	982	746	1329	1009	1746	1326	2286	1735
10.0		434	329	679	514	1082	821	1464	1109	1923	1457	2516	1907
12.0		514	–	803	–	1280	–	1732	–	2275	–	2978	–
14.0		594	–	928	–	1478	–	2000	–	2627	–	3439	–
16.0		673	–	1052	–	1676	–	2269	–	2980	–	3900	–
18.0		753	–	1176	–	1875	–	2537	–	–	–	–	–
20.0		833	–	1301	–	2073	–	2805	–	–	–	–	–