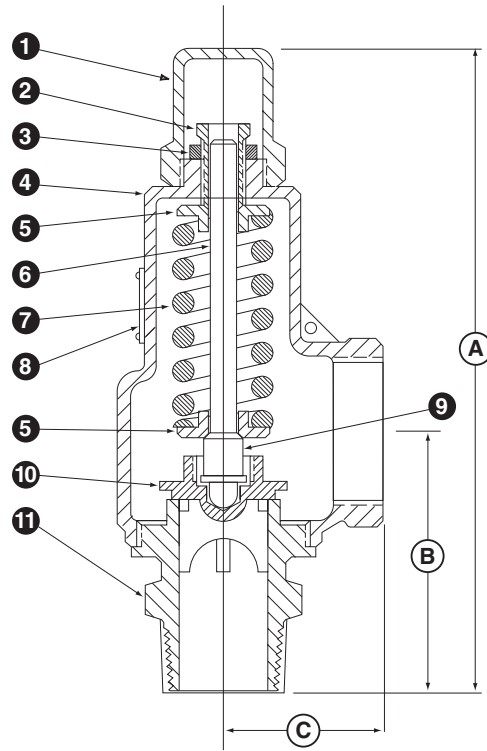


PARTS IDENTIFICATION & MATERIALS		
ITEM	PART NAME	MATERIAL
1	HOOD	BRASS
2	PRESSURE SCREW	BRASS
3	LOCK NUT	BRASS
4	BONNET	BRONZE
5	SPRING PLATE	BRASS/STEEL *
6	SPRING POST	BRASS/STEEL *
7	SPRING	STAINLESS STEEL
8	NAME PLATE	ALUMINUM
9	SPRING PLATE SUPPORT	BRASS/STEEL *
10	DISC	BRONZE
11	BODY	BRASS/BRONZE
* STEEL PLATED		



### SERIES 51, 55 & 69 DIMENSIONS • LIQUID

SERIES	VALVE SIZE	SEAT SIZE	OUTLET SIZE	-----DIMENSIONS-----			MAX. SET PRESSURE LIQUID	WEIGHT LBS
				A	B	C		
51	1/4"-3/8"-1/2"	1/2"	1/2"	5 1/4"	1 3/8"	1 1/8"	750	7/8
55	1/4"-3/8"-1/2"	1/2"	1/2"	3"	1 3/4"	1 1/8"	200	5/8
69	1/2"	1/2"	1/2"	5 7/8"	2 1/8"	1 3/8"	400	1 1/2
69	3/4"	3/4"	3/4"	6"	2 3/8"	1 3/8"	400	2
69	1"	1"	1"	7 1/2"	2 5/8"	1 7/8"	400	3
69	1 1/4"	1 1/4"	1 1/4"	8 1/2"	3 1/4"	2"	400	4 1/2
69	1 1/2"	1 1/2"	1 1/2"	9 3/4"	3 1/2"	2 1/2"	400	6 1/2
69	2"	2"	2"	11 1/8"	4"	2 5/8"	400	9 1/4
69	2 1/2"	2 1/2"	2 1/2"	12"	4 3/4"	3 1/8"	300	21
69	3"	3"	3"	13 1/2"	5 1/8"	4 3/8"	300	21

NEXT LARGER SIZE NPT OUTLET OPTIONAL ON SERIES 69  
PLEASE SPECIFY SERIES, SIZE, SERVICE & SET PRESSURE



**SERIES 69 CAPACITIES** Water Capacity in Gallons Per Minute (GPM) at 25% Over Pressure

SIZES: 1/2"-3"		CAPACITIES / SEAT SIZE						
SET PRESSURE	1/2"	3/4"	1"	1 1/4"	1 1/2"	2"	2 1/2"	3"
5	3.9	7.7	12	17	22	33	44	55
10	5.6	8.1	17	24	31	46	62	78
15	6.8	13	21	29	38	56	76	95
20	7.9	15	24	34	44	65	88	111
25	8.8	17	27	38	49	73	98	124
30	9.7	19	29	41	53	80	107	136
40	11	22	34	48	62	92	124	157
50	12	24	38	53	69	103	139	175
60	13	26	42	58	75	112	151	190
75	15	30	47	65	85	126	170	214
100	18	34	54	76	98	146	196	248
125	20	38	60	85	109	163	219	277
150	22	42	66	93	120	178	240	303
175	23	45	71	100	129	193	259	328
200	25	48	76	107	138	206	277	350
225	26	51	80	113	146	218	293	371
250	28	54	85	120	154	230	310	392
275	29	56	89	125	161	241	325	410
300	31	59	93	131	169	252	340	429
325	32	61	97	136	176	262		
350	33	64	101	141	183	272		
375	34	66	104	146	189	281		
400	35	68	108	151	195	291		

**SERIES 51 & 55 CAPACITIES** Water Capacity in Gallons Per Minute (GPM) at 25% Over Pressure

SIZES: 1/4"-3/8"-1/2"													
SET PRESSURE	10	20	30	40	50	75	100	150	200	300	400	500	750
	3.3	4.7	5.7	6.6	7.4	9.1	10.5	12.7	14.6	17.8	20.6	23	28.2