

FLAME Arrestors

A U S T R A L I A

(A Division of Pressure Systems Pty Ltd)

KSBB & KSBS Type Pressure Vacuum Valves

Pressure Vacuum Relief Valve Vent to Atmosphere



The models KSBB and KSBS pressure vacuum valves are an advanced design for vent to atmosphere applications.

Designed manufactured and tested according to the API 2000 code, these valves utilize the latest technologies to provide protection against positive or vacuum over pressure and prevent air intake, evaporative losses of product and help to contain odorous and potentially explosive vapours.

These pressure vacuum valves maintain a tight seal until system pressure or vacuum exceeds the set pressure.

The valves allow an intake of air under constant pressure during emptying, or discharge excessive over pressure during filling of the tanks.

The KSBB model is a weighted pallet model designed to handle pressure and vacuum with a minimum pressure of +/- 22mm WC and a maximum setting of +/- 700mm WC.

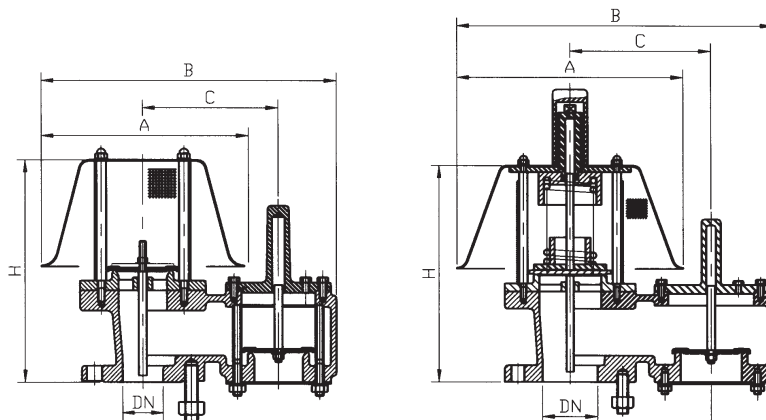
The KSBS is a spring loaded model designed to handle pressure and vacuum with a minimum pressure of +/- 700mm WC and a maximum setting of +/- 6500mm WC.

High strength, one-body castings provide added structural integrity and durability.

Body materials are available in Aluminium, Carbon Steel, 304ss and 316ss with various trims to suit individual requirements.

Sizes range from 50mm through to 300mm with ANSI 150lb FF flanges as standard (different connections available on request).

The valves have additional FM factory mutual approval for the majority of sizes and materials.



KSBB Type

KSBS Type

PO Box 154, Factory 3, 30-32 Peninsula Boulevard, Seaford. Victoria. Australia. 3198

Phone: 61 3 9776 9477 Freecall:1800 815 102 Fax: 61 3 9776 9606

Email: pressure@ozemail.com.au www.pressuresystems.com.au

KSBB & KSBS Type Pressure Vacuum Valves

Dimension Table

Size	2"	3"	4"	6"	8"	10"	12"
DN	50	80	100	150	200	250	300
A	252	330	350	440	500	580	620
B	367	463	500	626	754	879	979
C	168	206	230	283	348	406	466
H	278.5	314.5	335.5	407.5	466.5	517.5	563.5

Standard connection: ANSI 150lb FF flange. JIS or different sizes available on request.

Materials of Construction

Item No.	Component	Body	Aluminium	C.S	304 S.S	316 S.S
		Trim	304 S.S	304 S.S	304 S.S	316 S.S
1	Body	Aluminium	Aluminium	C.S	304 S.S	316 S.S
2	Seat	304 S.S	304 S.S	304 S.S	304 S.S	316 S.S
3	Vacuum Guide Post	304 S.S	304 S.S	304 S.S	304 S.S	316 S.S
4	Pressure Guide Post	304 S.S	304 S.S	304 S.S	304 S.S	316 S.S
5	Vacuum Screen	304 S.S	304 S.S	304 S.S	304 S.S	316 S.S
6	Pressure Screen	304 S.S	304 S.S	304 S.S	304 S.S	316 S.S
7	Cover Gasket	Teflon				
8	Cover	Aluminium	Aluminium	C.S	304 S.S	316 S.S
9	Hood	Aluminium	Aluminium	Aluminium	304 S.S	304 S.S
10	Stud Bolt/Nut	304 S.S	304 S.S	304 S.S	304 S.S	316 S.S
11	Cap Nut	304 S.S	304 S.S	304 S.S	304 S.S	316 S.S
12	Washer	304 S.S	304 S.S	304 S.S	304 S.S	316 S.S
13	Pallet Assembly	304 S.S	304 S.S	304 S.S	304 S.S	316 S.S
	Pallet Insert	Teflon				
	Pallet Weight	Lead				
14	Stem Guide	304 S.S	304 S.S	304 S.S	304 S.S	316 S.S