

# FLAME Arrestors

A U S T R A L I A

(A Division of Pressure Systems Pty Ltd)

## KSPR & KSPS Type Pressure Relief Valves

### Pressure Relief Valve Vent to Atmosphere



The models KSPR and KSPS pressure relief valves are an advanced design for vent to atmosphere applications.

Designed, manufactured and tested according to the API 2000 code.

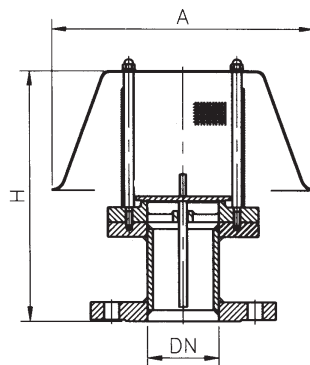
Utilizing the latest technologies, these pressure relief valves provide protection against over pressure, prevent air intake and evaporative loss of product, and help contain odorous and potentially hazardous vapours.

The KSPR model is a weighted pallet model, designed to handle over pressures with a minimum of 22mm WC and a maximum set pressure of 700mm WC.

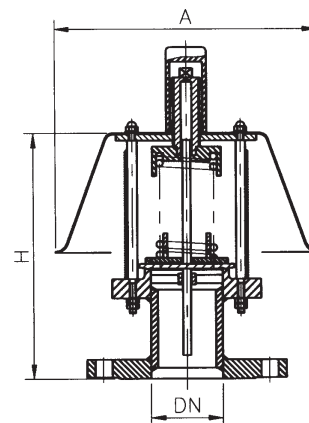
The KSPS model is a spring loaded model, designed to handle over pressure with a minimum set pressure of 700mm WC and a maximum set pressure of 6500mm WC.

Body materials are available in Aluminium, Carbon Steel, 304ss and 316ss, with various trims to suit individual requirements.

Sizes range from 50mm through to 300mm with ANSI 150lb FF flanges as standard (different connections available upon request).



KSPR Type



KSPS Type

# KSPR & KSPS Type Pressure Relief Valves

## Setting Range

	KSPR Type		KSPS Type	
	MIN.	MAX.	MIN.	MAX.
Set Pressure	22mm WC	700mm WC	700mm WC	6,500mm WC

## Dimension Table

Size	2"	3"	4"	6"	8"	10"	12"
DN	50	80	100	150	200	250	300
A	252	330	350	440	500	580	620
H	300	332	342	394	427	459	480

Standard connection: ANSI 150lb FF flange. JIS or different sizes available on request.

## Materials of Construction

Item No.	Component	Body	Aluminium	C.S	304 S.S	316 S.S
		Trim	304 S.S	304 S.S	304 S.S	316 S.S
1	Body		Aluminium	C.S	304 S.S	316 S.S
2	Seat		304 S.S	304 S.S	304 S.S	316 S.S
3	Pressure Guide Post		304 S.S	304 S.S	304 S.S	316 S.S
4	Pressure Screen		304 S.S	304 S.S	304 S.S	316 S.S
5	Cover		Aluminium	C.S	304 S.S	316 S.S
6	Hood		Aluminium	Aluminium	304 S.S	304 S.S
7	Cap Nut		304 S.S	304 S.S	304 S.S	316 S.S
8	Washer		304 S.S	304 S.S	304 S.S	316 S.S
9	Pallet Assembly		304 S.S	304 S.S	304 S.S	316 S.S
	Pallet Insert			Teflon		
	Pallet Weight			Lead		
10	Stem Guide		304 S.S	304 S.S	304 S.S	316 S.S